

®

# MAC

V A L V E S



## MAC'S ADVANTAGE

Valves that don't stick



• BALANCE  
**HIGH SHIFTING FORCES**

• WIPING ACTION

• MINIMAL FRICTION

Let us show you via high performance demonstration kits and animated software,

**HOW MAC'S PERFORMANCE ADVANTAGES HELP MAKE YOUR EQUIPMENT MORE RELIABLE - FASTER - MORE REPEATABLE.**



**TLD/PLD**

The TLD function (Traveling Lab Demonstration) measures critical valve performance characteristics - *Shifting forces, Response Time, Speed, Repeatability and Flow.*

The PLD function (Proportional Lab Demonstration) measures critical proportional regulation characteristics - *Response Time, Accuracy, Hysteresis, Repeatability and Flow.*



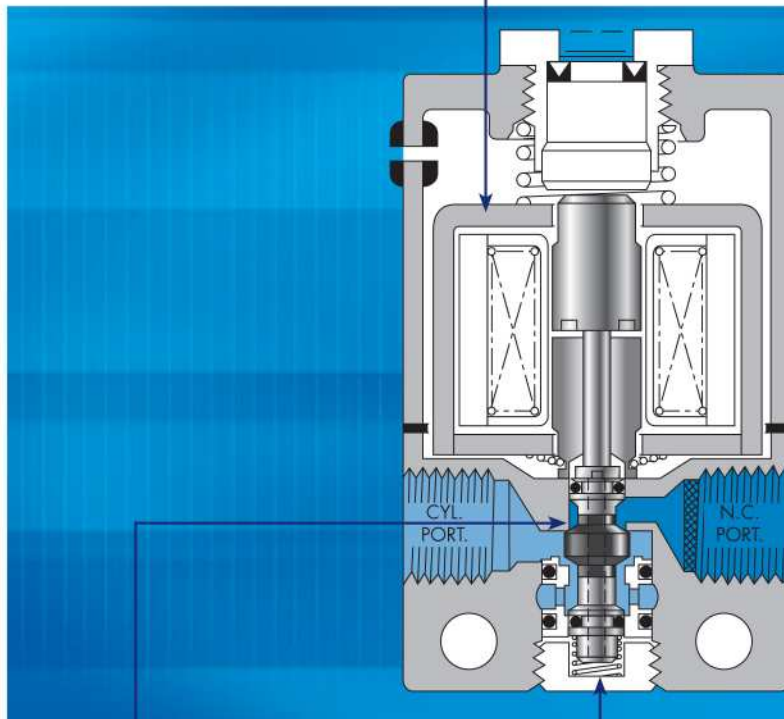
**Animation**

Animated Software shows inner workings of various Air Valve Designs - *Powerful educational tool for learning about how air valves function.*

# BUILDING BLOCKS

**High SHIFTING FORCE  
(Energized)  
- SHORT STROKE -**

**SOLENOID**



**SHIFTING FORCES** unaffected by  
changing air pressure (IN/EXH)  
- **BALANCE** -

**SHIFTING FORCES** virtually unaffected  
by typically contaminated air  
- **WIPING ACTION** -

**Low friction** minimizes resistance  
to **SHIFTING FORCES**  
- **MINIMAL FRICTION** -

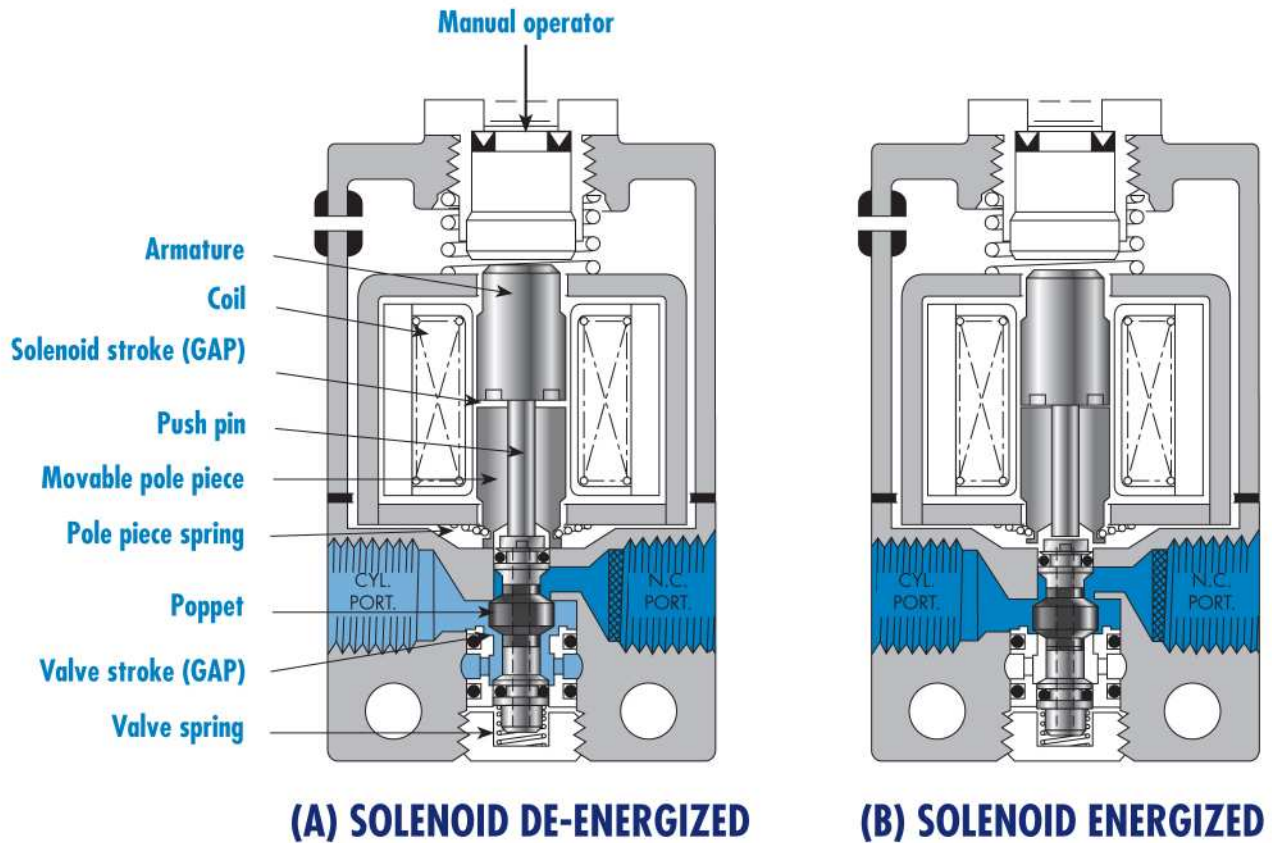
**VALVE**

**SPRING**

**High SHIFTING FORCE  
(De-energized)  
- STRONG RETURN SPRING -**

*Valves that don't stick*

**100%**  
OF  
PRODUCTION  
TESTED  
**100%**  
WARRANTY  
**18**  
MONTHS



### Sequence of events

- (A) - Solenoid is de-energized
- (B) - Solenoid is energized
  - Armature is attracted magnetically downwards, extending push pin which shifts poppet from upper to lower seat.
  - Movable pole piece is attracted magnetically upwards to meet the armature which compensates for difference between solenoid stroke and shorter valve stroke. Armature and pole piece therefore close regardless of valve position.

### Short stroke = High force

#### ADVANTAGES

- Short stroke solenoid produces high energization shifting force.
- High force return spring due to high force solenoid, maximizes both energization and de-energization shifting forces.
- Built-in wear compensation - valve stroke is shorter than solenoid stroke.
- Solenoid closes regardless of position of valve, virtually eliminating coil burnout on AC service.

# SHORT STROKE - OVAL SHAPED ARMATURE

## Typical solenoid force curve

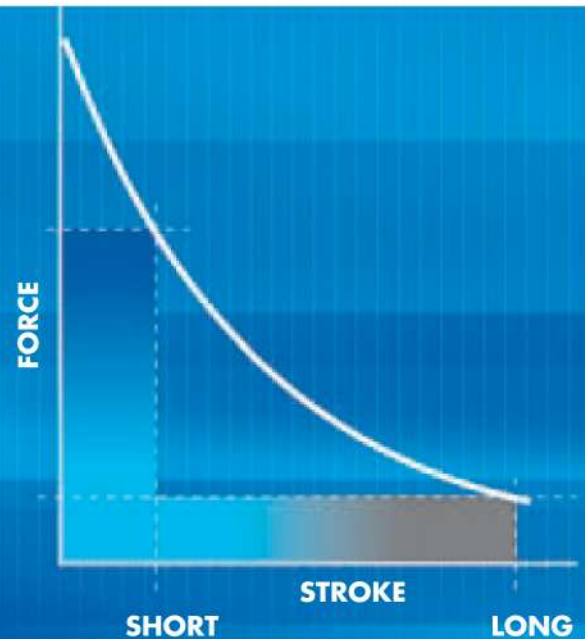
MAC<sup>®</sup>

### SHORT STROKE

- Short Stroke = High solenoid force
- Short Stroke = High return spring force
- Short Stroke = Low current to shift solenoid

### OTHERS: LONG STROKE

- Long Stroke = Low solenoid force (off seat)
- Long Stroke = Low return spring force
- Long Stroke = High current to shift solenoid



MAC<sup>®</sup>

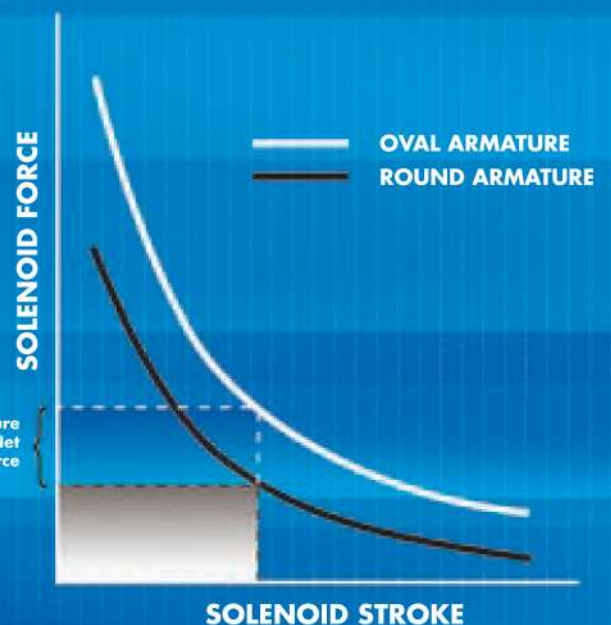
### OVAL SHAPE ARMATURE

- Oval shape armature = Increased coil winding
- Oval shape armature = Increased coil iron volume
- Oval shape armature = Higher shifting forces

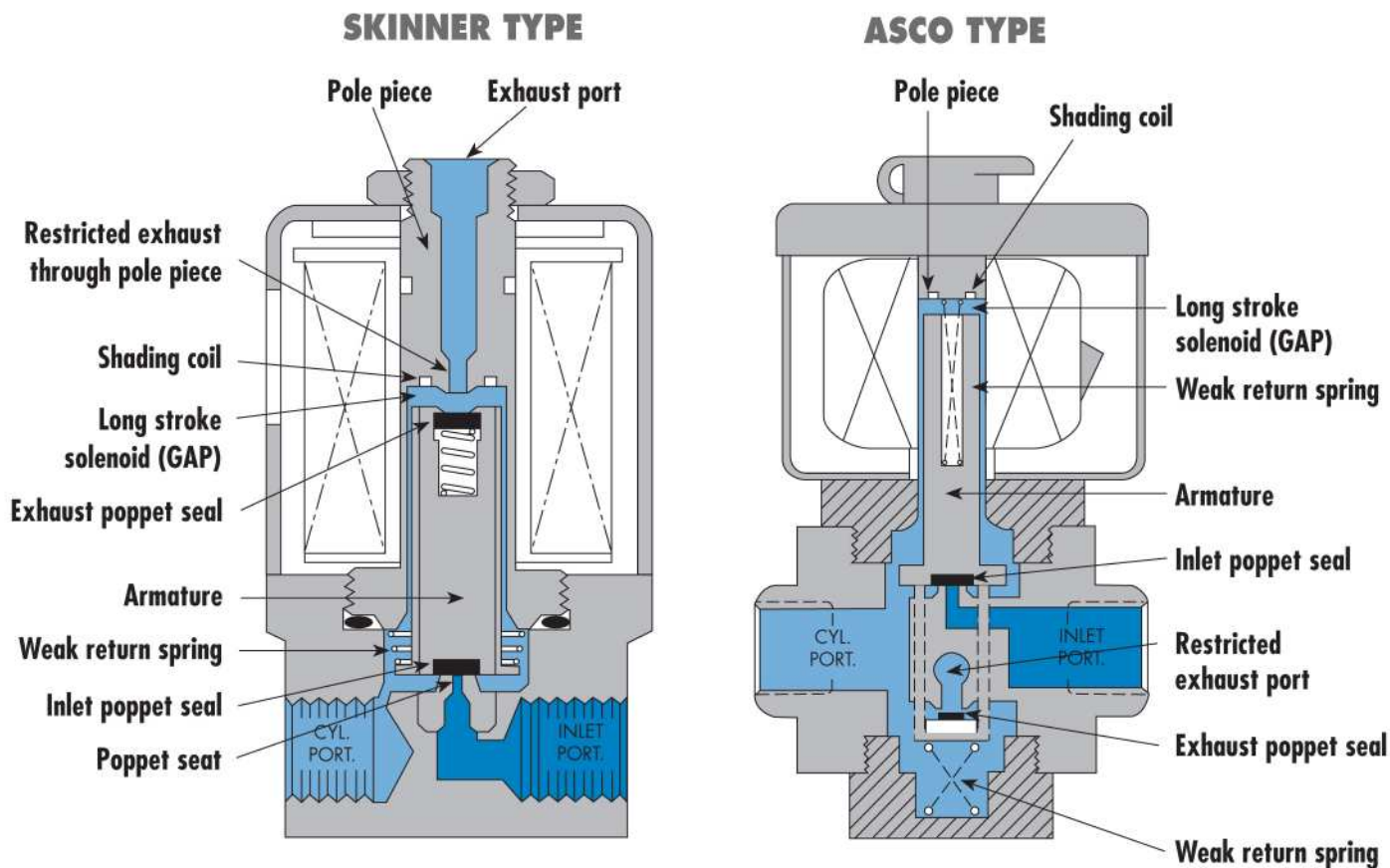
### OTHERS: ROUND ARMATURE

- Round armature = Less coil winding
- Round armature = Less coil iron volume
- Round armature = Lower shifting forces

Oval Armature  
Additional Net  
Shifting Force



# TYPICAL UNBALANCED POPPET 3-WAY AIR VALVE



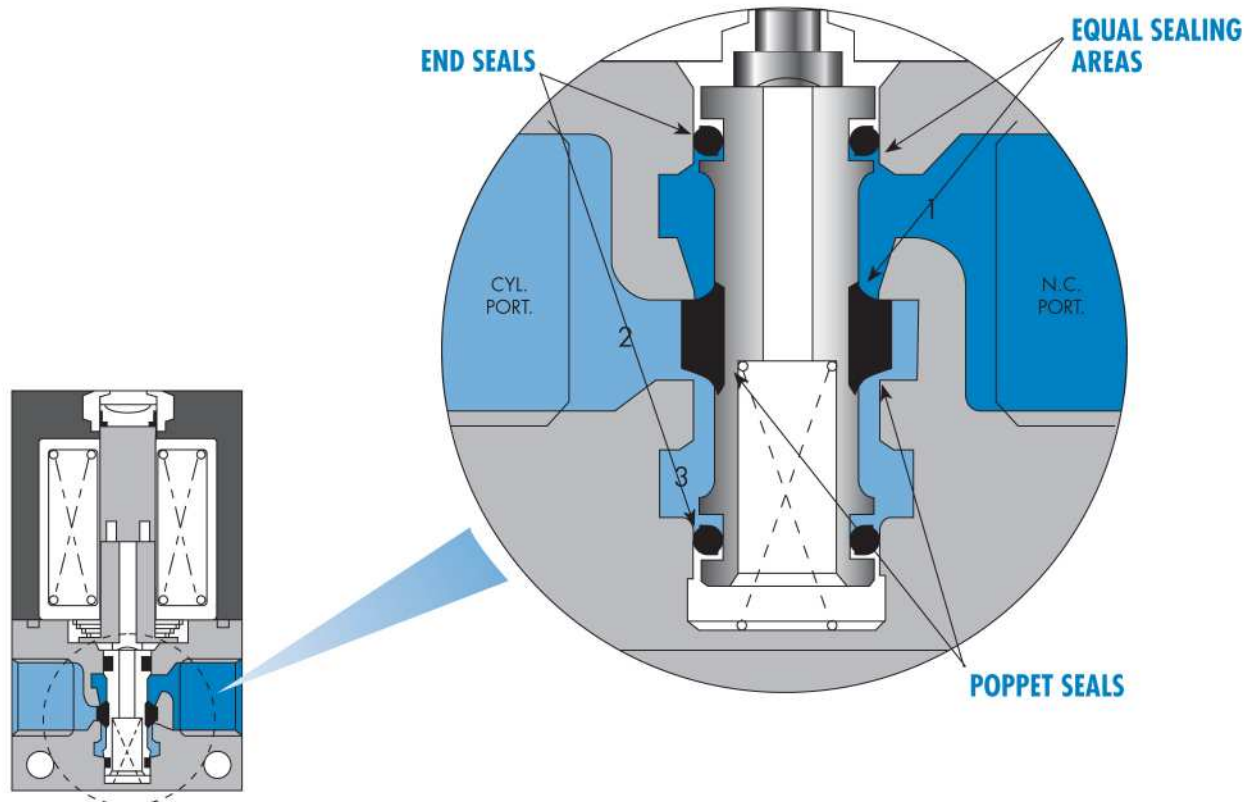
## UNBALANCED POPPET = INCONSISTENT LOW SHIFTING FORCES

- Spring force (holding poppet on seat) is constant.
- Inlet air pressure acts upon a single sealing area.
- Inlet pressure X sealing area creates a force that opposes return spring shifting force.
- Force created by inlet air pressure on inlet poppet seal varies as inlet air pressure varies.
- Changing inlet pressures therefore affect energizing and de-energizing shifting forces.

### DISADVANTAGES

- Normal pressure fluctuations cause inconsistent shifting forces
- Air pressure fights return spring, reducing shifting forces
- Weak return spring force
- Exhaust contaminants pass through operating solenoid parts causing sticking and coil burnout (SKINNER type)
- When air pressure rating is increased, the inlet and exhaust orifice must be reduced thereby decreasing flow through the valve
- Multiple models to cover range of vacuum to 10 Bar, 150 PSI, each with separate flow rating
- Pilot valves rated for 10 Bar, 150 PSI have very low flow
- Exhaust, located in pole piece, is restricted due to core iron requirements (SKINNER type)

# BALANCED POPPET 3-WAY AIR VALVE



## BALANCED POPPET = CONSISTENT HIGH SHIFTING FORCES

**Exhaust Contaminants Isolated From Solenoid Parts = Clean Solenoid**

- Sealing areas are equal
- End seals balance poppet seals
- Forces created by air pressure are equal in both directions
- Changing pressure therefore has no effect on shifting forces

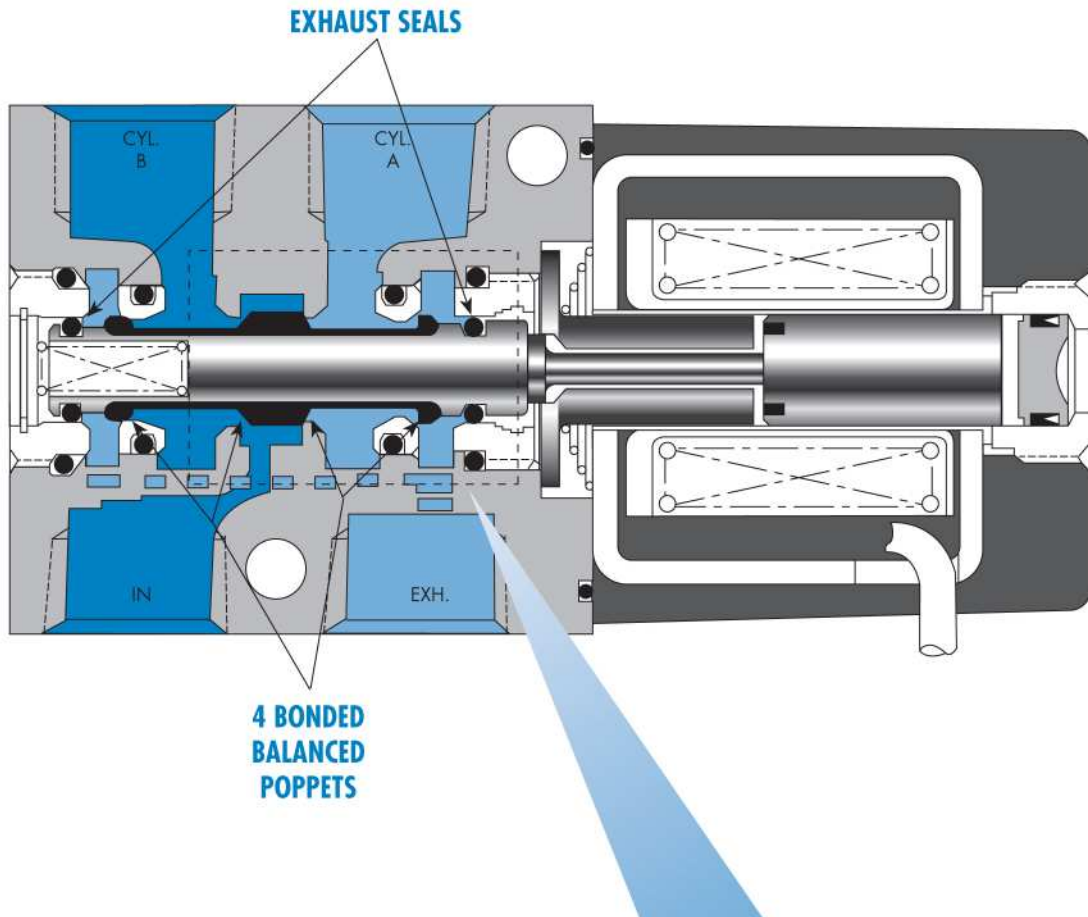
### ADVANTAGES

- Valve shifting forces are consistent and independent of pressure fluctuations
- High solenoid and return spring forces ensure high speed and precise repeatability
- Exhaust contaminants are isolated from the solenoid
- Manual override - standard
- Constant high flow maintained throughout the pressure range - including pilot valves
- Full flow exhaust
- Universal porting - 6 functions in one valve

100%  
OF  
PRODUCTION  
TESTED

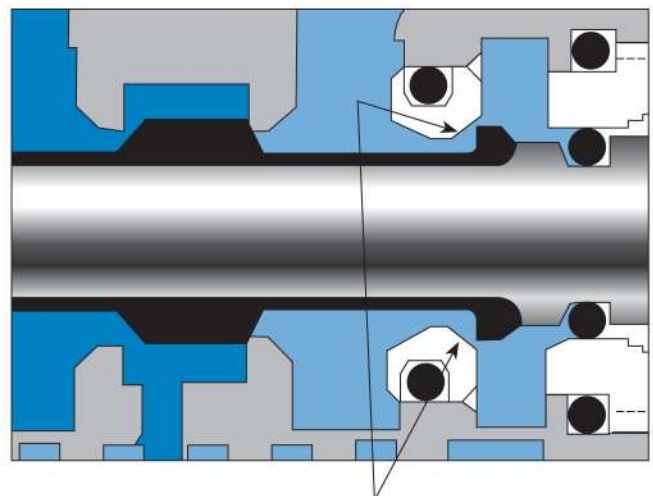
100%  
WARRANTY  
18  
MONTHS

# SMALL DIRECT SOLENOID POPPET VALVE



## ADVANTAGES

- 4 balanced poppets on a one-piece valve stem
- End poppets seal first on conical seats and cushion inlet poppet, eliminating cutting
- Exhaust seals are not under inlet pressure thus reducing friction
- Integral non-rising flow controls available
- Short stroking balanced poppet allows for direct solenoid operation with high shifting forces, minimized friction, fast response and high flow in a small package



CONICAL SEATS



# 4-WAY PILOT OPERATED

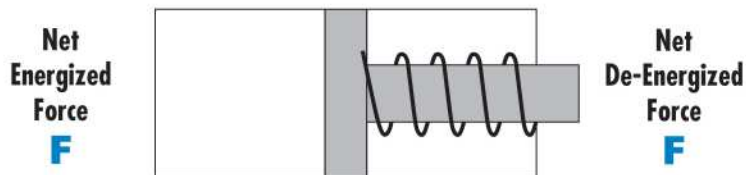
## DIRECT OPERATED

### ADVANTAGE:

No minimum operating pressure.

### DISADVANTAGE:

Sticking due to low **shifting forces** in both directions on long stroke valves.



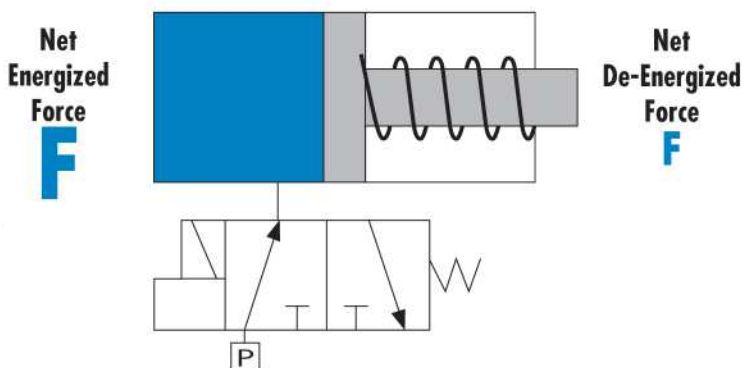
## 3-WAY PILOT OPERATED (Spring Only Return)

### ADVANTAGE:

High **shifting force** in one direction.

### DISADVANTAGE:

Sticking due to low return **shifting force**. Must be able to operate at low pressure. Therefore, return spring force is low.



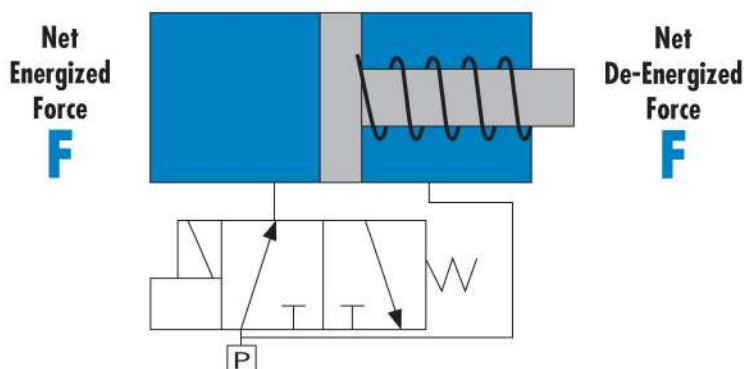
## 3-WAY PILOT OPERATED (Air and Spring Return)

### ADVANTAGE:

High **shifting forces** in both directions.

### DISADVANTAGE:

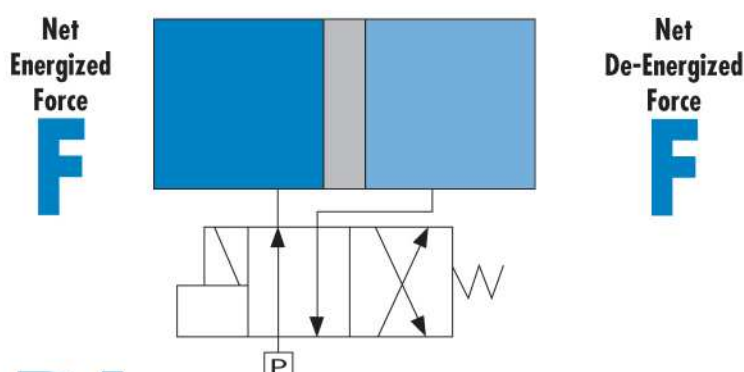
Resistance to energizing **shifting forces** from air/spring return.



## 4-WAY PILOT OPERATED (Air Return)

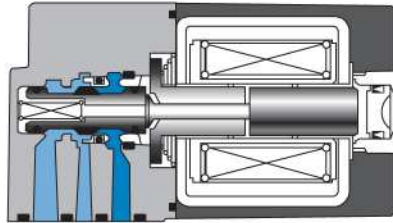
### ADVANTAGE:

Highest **shifting forces** in both directions. No resistance to **shifting force** in either direction. Full return piston area is utilized.

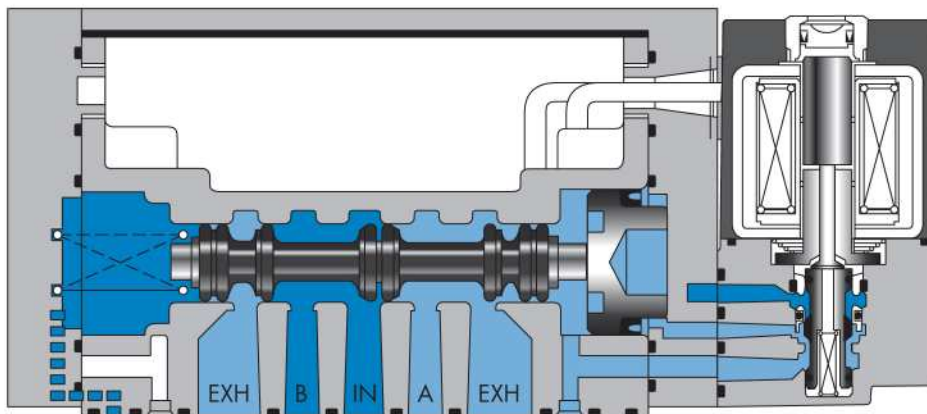
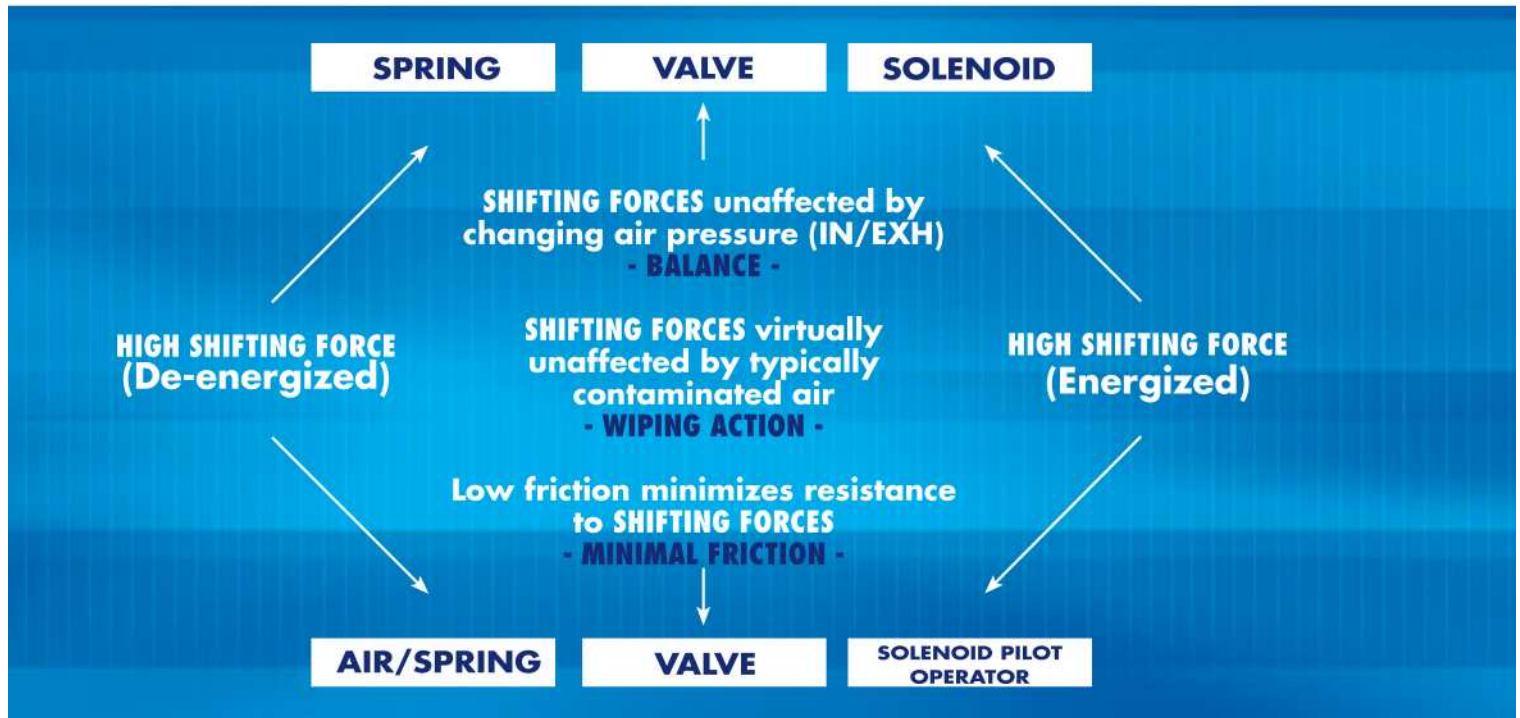


100%  
OF  
PRODUCTION  
TESTED  
100%  
WARRANTY  
18  
MONTHS

# 3-WAY SOLENOID PILOT OPERATED LARGE VALVE

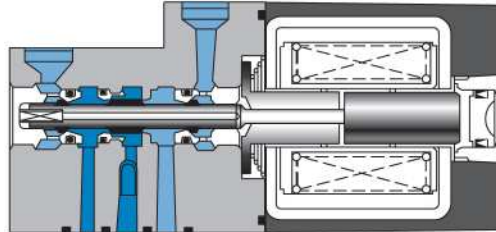


Small direct 3-way solenoid operated valve

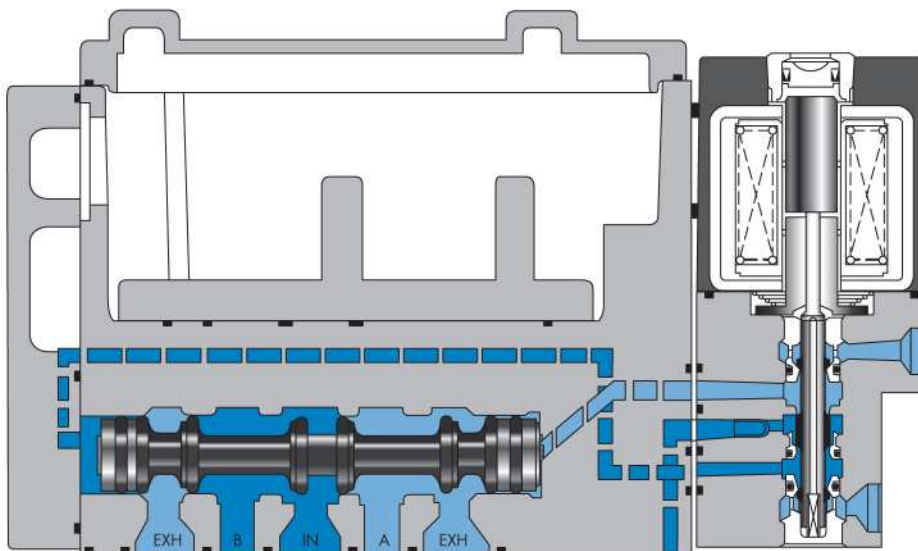
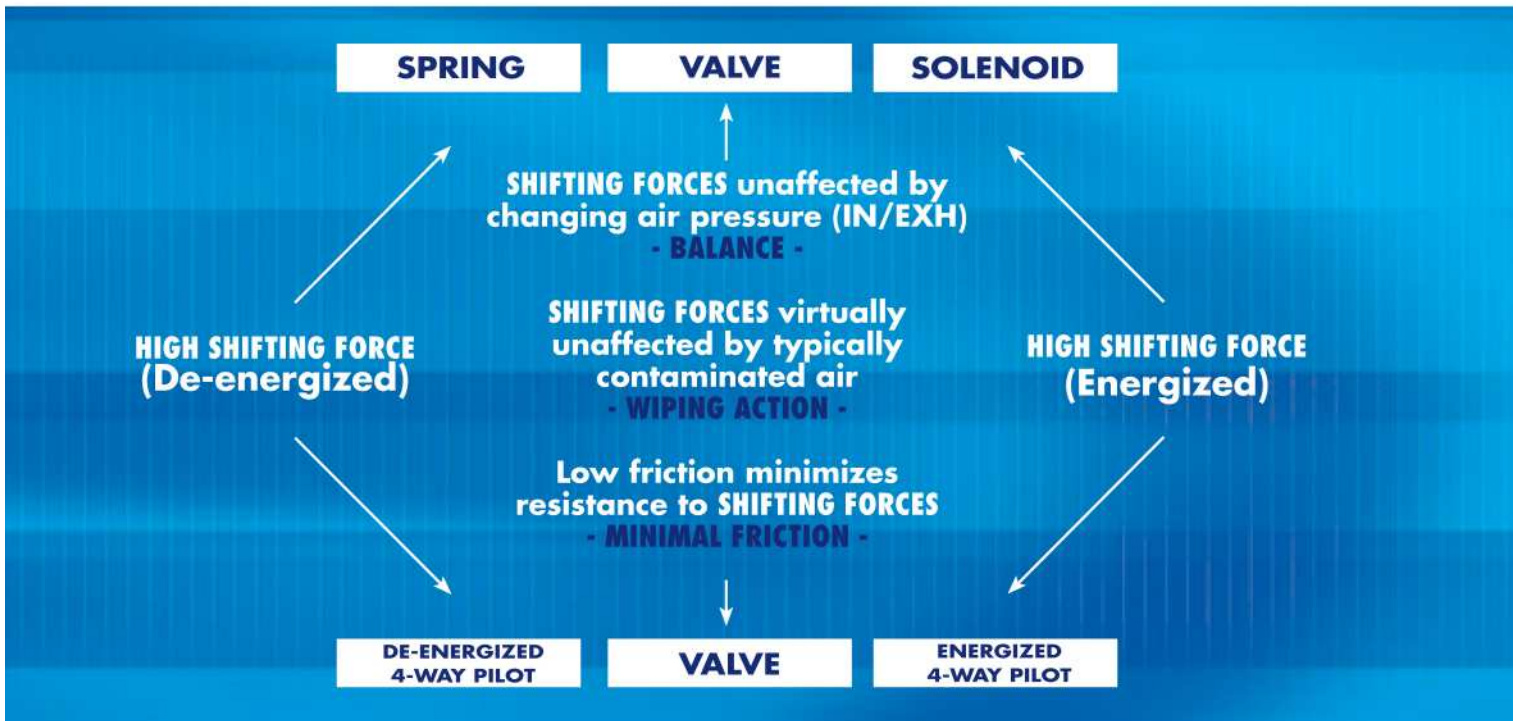


Solenoid pilot operated large valve

# 4-WAY SOLENOID PILOT OPERATED LARGE VALVE



Small direct 4-way solenoid operated valve



Solenoid pilot operated large valve

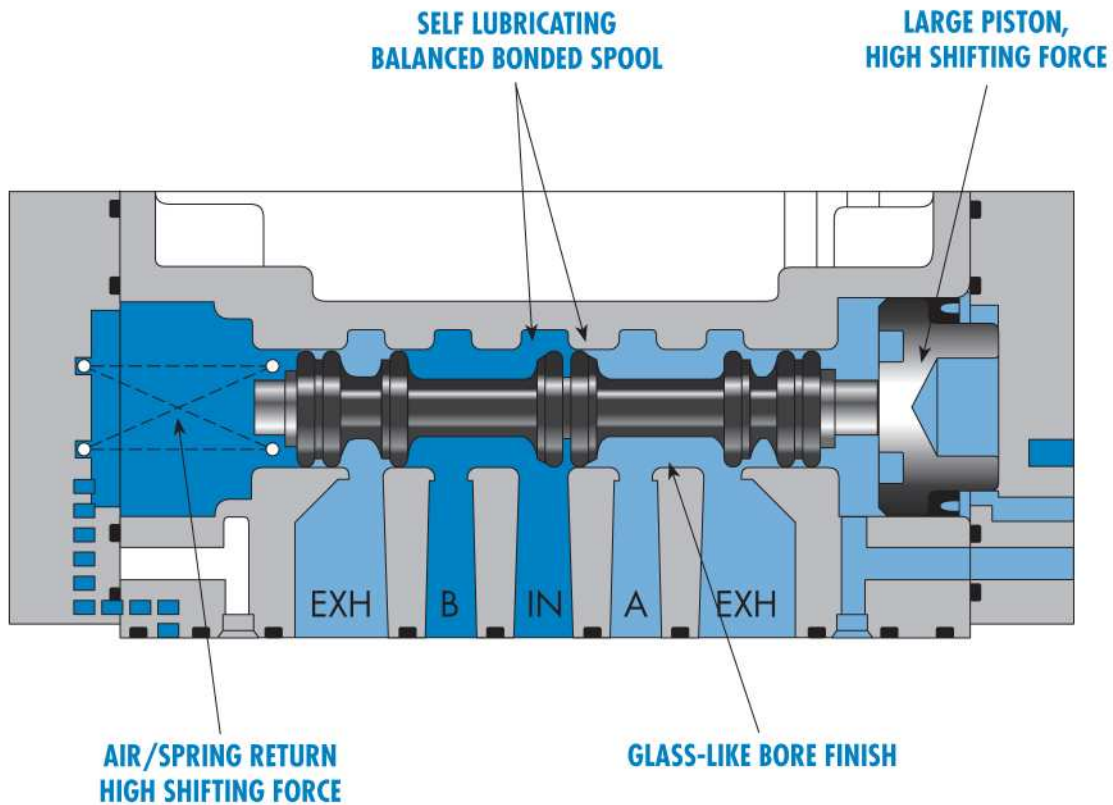
100%  
OF PRODUCTION TESTED  
100%  
WARRANTY  
**18**  
MONTHS



www.LDA.be - LDA@LDA.be

+32(0)2- 266 13 13

# SPOOL & BORE

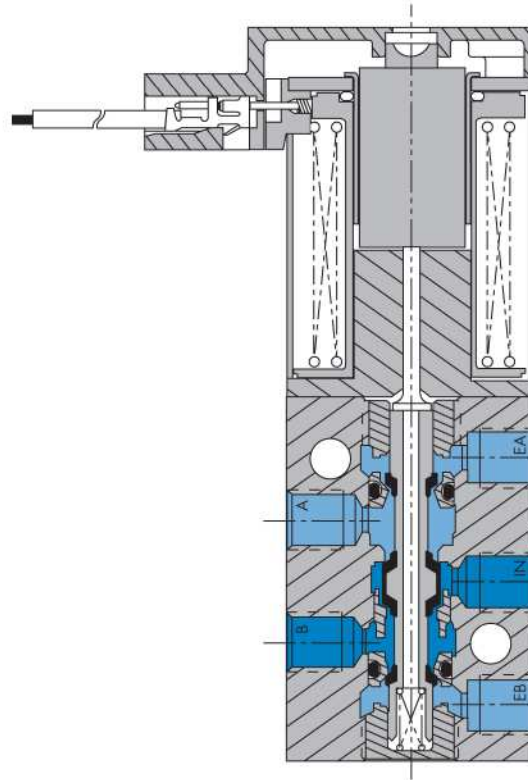
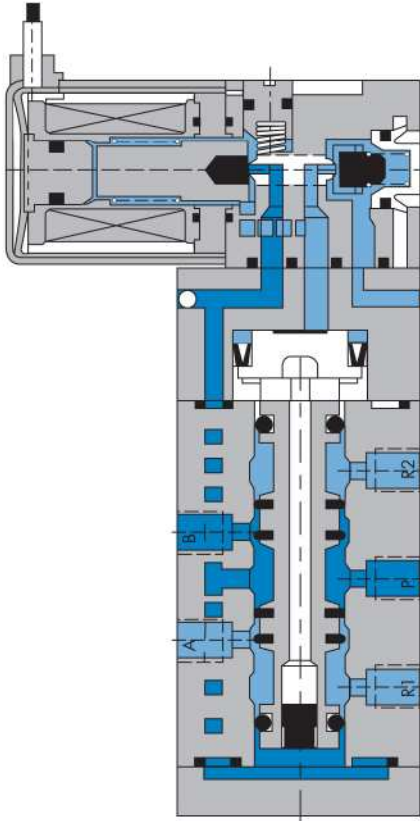


## ADVANTAGES

### SPOOL PLUS BORE = WIPING ACTION = VALVES THAT DON'T STICK MAXIMIZES ABILITY TO OPERATE UNDER CONTAMINATED CONDITIONS, WHILE MINIMIZING FRICTION

- Large minimum piston area (3 cm<sup>2</sup>) provides high shifting force even at minimum operating pressure
- Air/Spring assures maximum return shifting force
- Precision ground bonded spool controls compression - wipes contaminants away with minimum friction
- Chemically hardened seals eliminate creep, reduce friction and increase life
- Lubricant in rubber reduces friction - enhances nonlube service
- Two seals each controlling a single orifice provide a short stroke, less wear, minimum friction and high flow in a small package
- Patented centering seals ensure spool alignment for minimum wear
- Bore is machined, roller burnished and polished for hard smooth surface and glasslike finish - minimum friction, minimum wear and long life
- Lightweight aluminium spool allows for fast response
- One piece spool - simple construction and easy maintenance

# 10 MM DIRECT SOLENOID POPPET VALVE



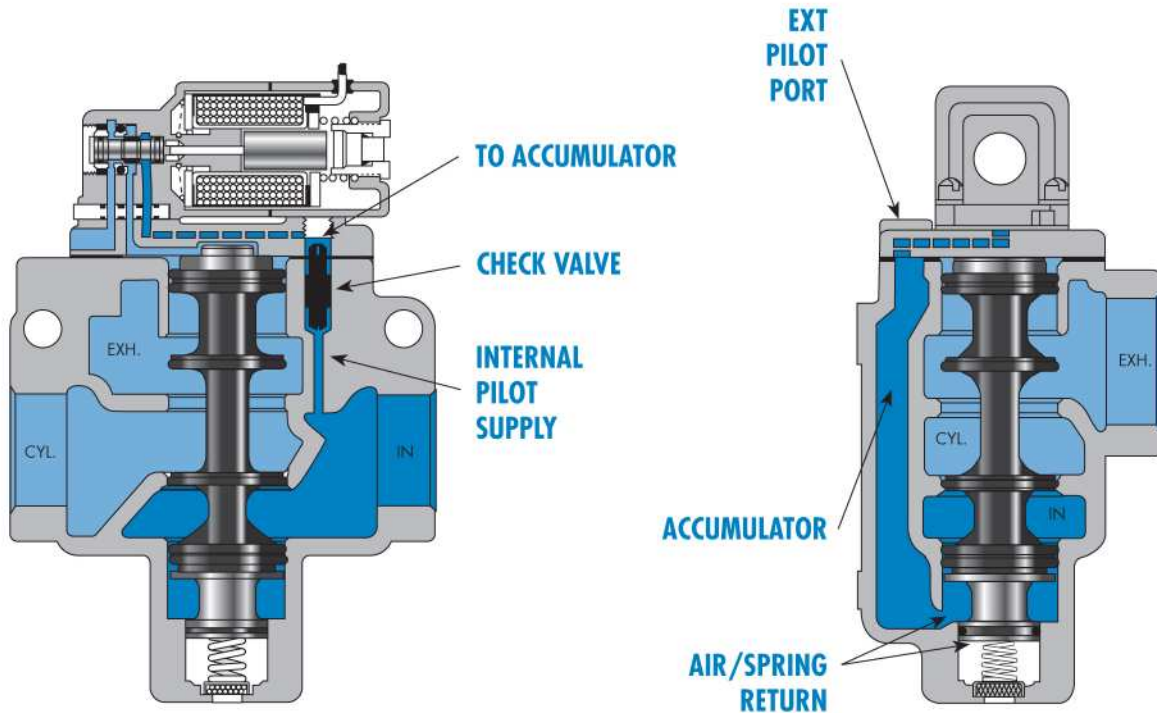
## TYPICAL PILOT OPERATED 10 MM DESIGN

- "U cup" plus 4 "O-rings" in the bore at any one time - **high friction**
- 0.5 watt limited volume magnet wire plus small core iron size - **low shifting force**
- Unbalanced 3 way pilot - **low shifting forces** compromised by fluctuations in air pressure
- Small piston area - **low shifting force**
- Small orifice "0.0004 in" (0,26 mm<sup>2</sup>) - **prone to clogging**
- Air return only - **insufficient shifting force** at low pressure to permit mechanical spring
- Many parts - **complicated design**
- Long stroke spool, unbonded seals can extrude and cut - **short life**
- 5 micron filtration typically required

## MAC 44 SERIES DIRECT OPERATED 10 MM DESIGN

- Balanced poppet, with no seals of any kind in a bore - **no friction**
- New MACsolenoid® patent pending with "oval" shaped armature - provides **high shifting force** through more core iron and magnet wire
- Balanced poppet - **high shifting forces** - unaffected by fluctuations in air pressure
- Short stroke direct operated poppet valve (patented adjustable inlet seat controls stroke) - **high shifting force** - without small piston and no minimum operating pressure
- Large orifice "0.0024 in" (1,55 mm<sup>2</sup>) minimum - **resists clogging**
- Strong return spring - **high shifting force** - even at low pressure
- Few parts - **simple design**
- Patented conical shaped exhaust seats act as cushions - eliminates cutting - **long life**
- Every valve calibrated for flow for a given coil wattage - **consistent flow**

100%  
OF PRODUCTION TESTED  
100%  
WARRANTY  
**18**  
MONTHS



## ADVANTAGES

## HIGH, CONSISTENT SHIFTING FORCES IN BOTH DIRECTIONS

### CHECKED ACCUMULATOR

- Accumulator stores several times volume of air required to shift valve
- Accumulator (not direct inlet) feeds air spring and pilot
- Check valve protects accumulator from inlet pressure fluctuations
- Accumulator bleeds to atmosphere when inlet pressure is removed

### AIR & SPRING RETURN

- Spring provides consistent shifting force at low pressure
- Air provides maximum shifting forces at both higher and lower pressures
- Air spring counterbalances air pilot pressure for consistent operation
- Spring provides memory

# PRODUCT RANGE

## Small 3-way solenoid operated valves

#10-32 (M5) to 1/4" port size  
Cv .10 to .50 (100 to 500 NI/min)



## Large 3-way solenoid operated valves

#10-32 (M5) to 2 1/2" port size  
Cv .40 to 60 (400 to 60000 NI/min)



## Small 4-way solenoid operated valves

#10-32 (M5) to 1/4" port size  
Cv .10 to 1.4 (100 to 1400 NI/min)



## Large 4-way solenoid operated valves

#10-32 (M5) to 1 1/2" port size  
Cv .40 to 15.9 (400 to 15900 NI/min)



## Proportional pressure control valves

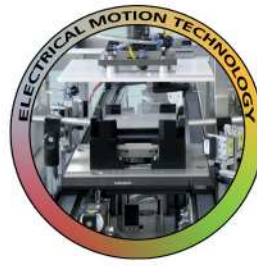
Stand alone or Multi-Pressure Pak®  
Analog or Digital with an overall accuracy  
range of ±.5% to ±2.5% of full scale



## Field bus products

Communication Electronics with a  
variety of MAC Valves' products  
Input and Output capability with a  
variety of protocols





***Vous avez l'idée, nous la concrétisons.  
Wij verheugen ons op uw aanvraag.  
We look forward to your application.***



**LDA Belgium**

Hoge Buizen 53  
1980 Eppegem  
Belgium

Tel. +32 (0)2-266 13 13

Mail: [LDA@LDA.be](mailto:LDA@LDA.be)

[www.LDA.be](http://www.LDA.be)