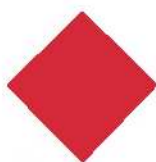




Nous avons la solution!



Solutions for Life

www.LDA.be



Visitez notre site web pour de plus amples informations concernant LDA. Sur le site, vous trouverez également des informations concernant nos produits et sur nos partenaires.



www.LDAdirect.be **LDA**direct



Visitez notre boutique en ligne pour découvrir nos produits, visualiser les prix ainsi que commander en ligne. Tous les produits qui se trouvent sur www.LDAdirect.be sont disponibles en stock et sont livrables rapidement.



products.LDA.be



Rendez-vous sur notre site web technique pour en savoir plus sur nos produits. Téléchargez la documentation technique, le manuel d'installation et le guide pour les calculs. Ces informations sont disponibles gratuitement.



Hoge Buizen - 1980 EPEGEM (BE)
www.LDA.be - LDA@LDA.be
☎ +32(0)2- 266 13 13

Visitez notre site internet!

Table des matières

Automatisation	3
Bellow actuators & vibration isolators	4
Shock absorbers – Enidine.....	5
Pneumatic valves.....	6
Pneumatic cylinders	8
Pneumatic slides.....	9
Parallel & angular grippers	10
Rotary Actuators & electric grippers	12
Venturi vacuum pumps	13
Air treatment.....	14
Fittings	15
Tubing.....	16
Round shaft & gliding surface technology	17
Miniature screw driven actuators & linear motion platforms	18
Electric rod style & rodless actuators.....	19
Gearboxes, disc brakes & disc clone clutches	20
Gas springs	21
Vannes pour fluides et gaz	23
Solenoid valves & stainless steel solenoid valves	24
High pressure, high temperature and Atex valves	25
Solenoid valves for process control & plastic valves.....	26
Firefighting valves & high purity fluid handling products	27
Instrumentation	29
Pressure, vacuum and temperature switches & level sensors	30
Industrial heat & fire detectors	31
Connectivité	33
DIN valve connectors & M8, M12 connectors	34
LDA, votre partenaire idéal avec l'expérience	35
Mission & vision	36
Motion technology	37
Fluid technology	39
www.LDAdirect.be – boutique en ligne pour des produits standards	41
products.LDA.be – information technique	42

Partenaires:

Automatisation

Airpel	P8
Bimba	P8
Enidine	P5
EMC	P14, 15, 16
Firestone	P4
Gimatic	P9, 10, 11, 12
Joulin	P13
LDA	P14, 21
MAC Valves	P6, 7
PBC Linear	P17, 18
PHD	P8, 9, 10, 11, 12
Sapelem	P13
Thomson	P19
Tolomatic	P9, 19, 20
Vaccon	P13

Vannes pour fluides et gaz

Alcon	P25
Beco	P27
GSR	P25
Landon Kingsway	P27
M&M	P24
Magnatrol	P26
Midland-ACS	P26
Peter Paul	P27
Plast-o-matic	P26

Instrumentation

Euroswitch	P30
LDA	P31

Connectivité

Molex - mPm	P34
Molex - Bradharrison	P34

Automatisation

- ✚ Vérins et distributeurs pneumatiques
- ✚ Traitement d'air
- ✚ Unités et guidages linéaires
- ✚ Solutions pour le vide
- ✚ Raccords
- ✚ Ressorts à gaz, régulateurs de vitesse et freins
- ✚ Amortisseurs de chocs
- ✚ Composants électromécaniques
- ✚ Isolateurs de vibrations
- ✚ Robotique et systèmes de préhension
- ✚ Tuyauterie



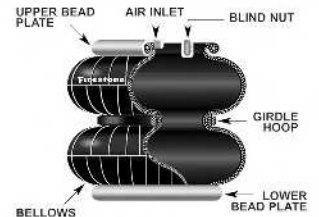


Firestone

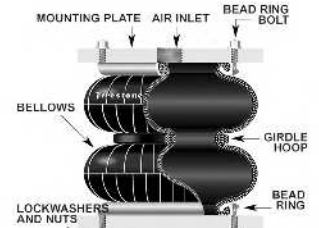
AIRSTROKE
ACTUATORS

World's Number 1
Air Spring.
FIRESTONE INDUSTRIAL PRODUCTS

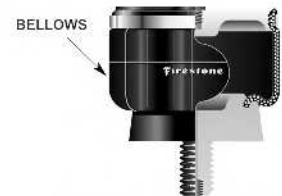
AIRMOUNT
ISOLATORS



CONVOLUTED AIR SPRINGS WITH CRIMPED BEAD PLATES



CONVOLUTED AIR SPRINGS WITH STEEL BEAD RINGS



1M1A AIRSTROKE actuator

Heavy Duty Vibration Isolators

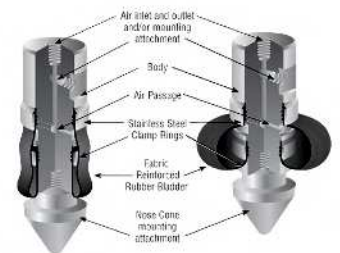
Inflatable grippers



MARSH MELLOW
SPRINGS



AIRPICKER AIRGRIPPER



Vibration Isolation

ENIDINE



Compact Rope Wire Vibration Isolators



Wire Rope Vibration Isolators

Shock Absorbers

ENIDINE



Micro/Small, Mid-Bore, Large Bore Series Shock Absorbers



HDN Heavy Duty Shock Absorbers



HI Heavy Industry Shock Absorbers



Jarret Silicone Elastomer Shock Absorbers

Hydraulic Rate Controllers

ENIDINE



ADA Adjustable Hydraulic Speed Regulators



Kinechek Shock Absorbing Speed Regulators

MAC Valves

Small 3 way valves

60 to 1000 NI/min



MAC Valves

large 3 way valves

1000 to 60.000 NI/min



MAC Valves

Small 5 way valves

55 to 1200 NI/min



MAC Valves

large 5 way valves

1200 to 15900 NI/min



MAC Valves

Remote Air Valves



MAC Valves

Mechanically & Manually Operated Valves



MAC Valves

Manifolds



MAC Valves

Proportional Pressure Controllers



Pneumatic Cylinders



CRS - Compact cylinder for light applications



CTS - Compact non-rotating guided rod cylinder



AV - tie-rod cylinders



NPG - Non-rotating tie-rod cylinders



CV - Exceptional performing cylinders



TD - Air/Oil Tandem Tie Rod Cylinders



Stretch Rod Cylinder for PET Blowers



Pneumatic Cylinders



Original Line



with plastic end caps



Stainless Steel Repairable



Non-Rotating



Miniature cylinders



Double Wall



Heavy Duty Repairable



3-Positions



Heavy Duty Stainless Steel



Flat Round Body



Flat Non-Rotating



Flat Multiple Power



Flat Square Body



Flat Square-Non-Rotating



low friction cylinders

Dashpots



Pneumatic Slides

phd

SFM & SFP Rodless Gantry rail pneumatic slides

SD/SE Versatile thruster slide

SK/SL Robust versatile thruster slide



SxL/SxH compact thruster slide

SHP Miniature rail thruster slide

STP Compact Rail thruster slide

SM pneumatic gantry slide



Pneumatic Slides

GIMATIC

ZE Pneumatic mini slide

Z pneumatic precision slide

D32 Pneumatic slide

L40 Pneumatic linear slide



P25 Pneumatic lift unit

M25 Pneumatic linear actuator

Interfaces to couple the P25 & M25 with grippers en slides



Pneumatic Slides

Tolomatic

MGA Magnetically coupled cylinders

MGS Magnetically Coupled slides

LS Linear slide series

MXP band cylinder



BC2 Band cylinder series

BC3 Band cylinder series

SA & CC Single & Double acting cable cylinders



Angular Grippers



GRV & 8400 Angular micro Grippers provide high precision, moment capacity, and grip force in a small rugged package



8600 Angular 3-Jaw is design to withstand high impact and shock loads.



GRB 180° angular grippers provide up to 180° of angular jaw travel, allowing the jaws to completely retract from the work area.



5300 Heavy duty angular grippers feature an oval piston for a high grip force to weight ratio. Spring assist provides extra grip force and part retention



Angular Grippers



2-jaw self-centering angular grippers

AA



GW



2-jaw self-centering angular grippers

XR



PB



2 & 3-jaw self-centering angular

PN



Pneumatic Clamps



GRM Pneumatic Workholding Clamps



Pneumatic Swing Clamps



PEC Pneumatic Toggle Clamps



PSP Pneumatic Shot Pin Actuators



PLC Robust Pneumatic Pin Clamps



PLK Versatile Pneumatic Pin Clamps



PNC Pneumatic Identification Stamping Clamps



Parallel Grippers



High precision parallel grippers with high grip forces



GRC high grip force rotary parallel grippers available with the SHURGRIP option



5300 parallel heavy duty grippers feature an oval piston for a high grip force



GRK parallel heavy duty grippers deliver the highest grip force in class. A wear-compensating jaw guidance system enables precision jaw movement throughout the life of the unit.



GRL narrow body parallel grippers with long jaw travel lengths.



GRH low profile & long travel parallel grippers that support large moment and long tool lengths



GRW parallel grippers feature large diameter jaw guides for jaw stability and high moment capacity.



GRT parallel 3-Jaw grippers provide self-centering and max contact between part and tooling



GRR Guardian® parallel grippers that provide high grip force with long jaw travels and high jaw loads. Designed for high impact and shock loads and to grip large objects in demanding industry applications



Unique Solutions®



CNC gripper



Parallel Grippers



GM 2-jaw self-centering gripper



MGX 2-jaw self-centering gripper



JP 2-jaw self-centering gripper



XP 2-jaw self-centering gripper



GS 2-jaw self-centering gripper



SGS 2-jaw self-centering gripper



PT needle gripper



PE 2-jaw self-centering gripper



S 2-jaw self-centering gripper



SH 2-jaw self-centering gripper



PQ 2-jaw self-centering gripper



Air Hand expansion gripper



Rotary Actuators



RA High Load Pneumatic Rotary Actuators



RF Low Profile Pneumatic Rotary Actuators



RI High Force Rotary Actuators feature internal air passages within the rotary pinion



1000-8000 Heavy Duty Pneumatic & Hydraulic Rotary Actuators



2000-8000 Air/Oil Tandem Rotary Actuators



2000-8000 Multi-Position Pneumatic & Hydraulic Rotary Actuators



Rotary Actuators



ISTC Pneumatic indexing table



TRB - Pneumatic indexing table



RT series pneumatic swivelling unit



R series 2 piston pneumatic swivelling unit



Electric Grippers



EGRK Heavy Duty Parallel Electric Grippers



GRME Electric Workholding Clamps



PLCE Robust Electric Pin Clamps



Electric Grippers



MPTM 3 jaw parallel gripper



MPPM 2 jaw parallel electric gripper



MPXM long stroke 2 jaw electric parallel gripper



MPRM 2 jaw radial electric gripper



MPBS 2 jaw angular electric sprue gripper



Venturi Vacuum Pumps

Dirt Tolerant Design



Small & Inline Venturi



High Vacuum Venturi



Multiport venturi



Fast Vacuum Breaker



Venturi Vacuum Manifold



Dirt Tolerant Pumps & Material Conveying



Miniature Venturi with Solenoid Control



Modular Venturi with Solenoid Control and Blowoff



Vacuum Cups



Single Bellow Cups



Flat Cups



Multi Bellow Cups



Oval Cups



Flat Cups



Robust Vacuum Cups & Venturi



Metallic plate with foam Gasket



Vacuum Check Valve with blowoff



Robust Blue Venturi



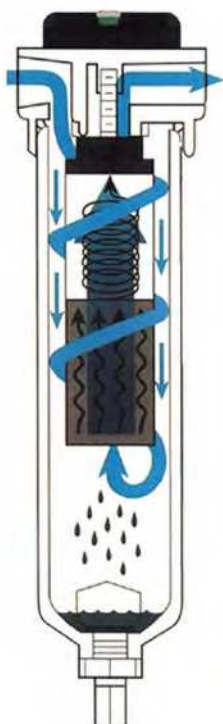
Vacuum Foam Grippers with check valves



Air treatment - high quality line



Eliminizer Combo



Eliminizer

Eliminator II

Eliminex Separator

Air treatment - low cost line



Polymer Push-In Fittings



Brass Push-In Fittings



Function fittings



Brass fittings



PU TUBE



Model: 4x2.5 6x4 8x6 10x6.5 12x8 14x10 16x12
Type: Roll Type
Length: 200m 100m

PE TUBE



Model: 4x2.5 6x4 8x5 8x6 10x6.5 12x8
Type: Roll Type/Spring Type
Length: 200m 100m 50m 35m 30m

PU TUBE



Type: Spring with fitting optional
Spring Type: 15m 12m 9m 7.5m

PU Reinforced TUBE



Size: 3/8x1/4 1/2x3/8 8x5 10x6.5 11x6 12x8 13x9 13.5x8
 13.5x9.5 14x10 15.5x10 15x9 16x10 16x11 18x12 18x13
Operating Pressure: 13.5 BAR
Max Pressure: 40 BAR
Temperature: -20-65°C

NYLON TUBE



Model: 3x2 4x2.5 5x3 6x4 8x5 8x6 10x7.5 12x8 14x10 16x12
Type: Roll Type
Length: 200m 100m 50m 35m 30m

PU CUTTER



Model: ECP-01



Round Shaft Technology



Simplicity Plain Bearings



Simplicity Pillow Blocks



Simplicity Sleeve Bearings



Steel - SS - Ceramic coated shafts



Gliding Surface Technology



LMP - low profile mini-Rail



MR - Miniature Linear Guide



D - uni-Guide



UGA- low Profile Uni-Guide



SB - Square Bearing



Cam Roller Technology & Roller Bearings



LPRR - Low Profile Redi-rail



YW - Y-Guide Roller Bearing



RR - Redi-Rail



CR - Commercial Rail



HR - Heavy-Rail



Integral - V - linear Guides



IVTAAAT



IVTAAAV



IVTAAAE



IVTAAAQ





SIM **LINEAR MOTION PLATFORM**
SERIES



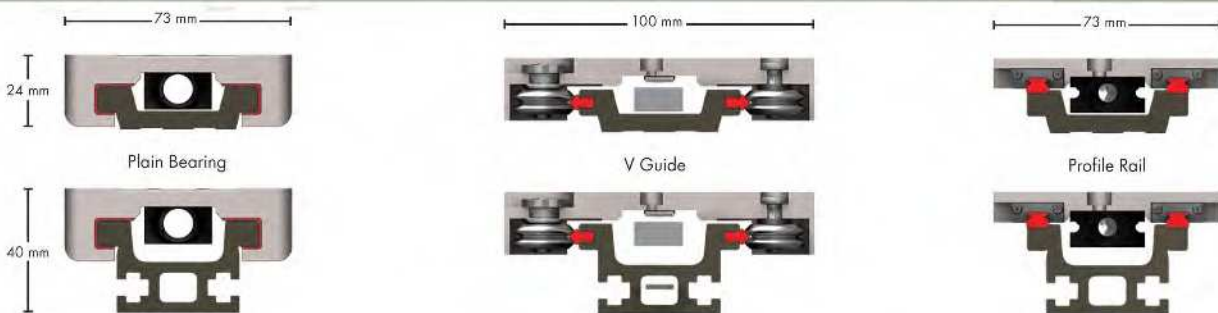
SIMULTANEOUS INTEGRAL MILLING OPERATION



Tribology Options



Available Profiles





Electric Rod Style actuators



ACS Stepper Controllers



ACS Servo Controllers



NEMA Motors

ERD Stainless Steel Electric Actuator



RSA / GSA Heavy Duty Electric Actuators



Foodgrade SS Electric Cylinder



IRC Smart Electric Actuator



Heavy Duty Actuator with a unique integrated servo design



Rodless Driven Actuators



TKS Low Profile Precision Ball Bearing



Rodless Screw Driven Actuators with Adjustable Carrier Bracket



MXE Standard Electric Linear Screw Driven Actuators



B3W Heavy Duty Electric Linear belt Driven Actuator



THOMSON
Linear Motion. Optimized.

AC & DC Rodstyle Actuators



Electrak Pro



Electrak 5



PPA AC Actuator



Whisper Trak Actuator





Gearboxes

Power Transmission

ENDURANCE TECHNOLOGY™

Look for this endurance technology symbol indicating our durability design features

Slide-Rite® & Slide-Rite®CR Gearbox

COMPACT SIZE - 1:1 RATIO



Float-A-Shaft Gearbox

COMPACT SERIES - 1:1 RATIO

Standard Foot Mount Flat Base



Capilar Disc Brakes



Double Acting

FIXED MOUNT - FIXED DISC



Single Acting

FIXED MOUNT - FLOATING DISC



Single Acting with Floating Bracket

FLOATING MOUNT - FIXED DISC



"L" Long Lever Single Acting

FLOATING DISC - FIXED DISC



Double Acting

FLOATING MOUNT - FIXED DISC



Disc with Bolt Circles & Pilot Hole



One-Piece Hub and Disc



Blank Disc



Disc Cone Clutches



1200 series



1300 series



Sprocket Combo





LIFT gas springs

The LIFT type is the most popular gas spring. This type is used as a counterbalance of weights and as a speed control device. They meet the highest worldwide standards for lifting, counterbalancing, lowering, tilting and damping lids and covers.

GT-LIFT gas springs

The working principle of the GT-LIFT is the opposite of the LIFT gas spring. While the LIFT gas spring is always prepared to extend (i.e. to open lid and covers) the GT-LIFT's function is to retract itself.

Custom made gas springs

Our engineers are working closely with our customers to design a gas spring that meets their specific needs. In addition to this, we have the capability of supplying identical gas springs that you are already using. Therefore we need only a technical drawing or a sample.



INOXLIFT Stainless steel gas spring

For high corrosion resistance a wide range of stainless steel gas springs are available for Lift, Stoplift and GT LIFT gas springs. Where corrosion resistance is paramount, we supply you with gas springs in SAE304 or in SAE316L material.



STOPLIFT gas spring enabling variable

positioning. This type of gas spring has a special internal structure enabling the gas spring variable positioning on the application. On application where the stoplift is used you will be able to stop the gas spring at any desired position.



STEP-STOP gas springs with multi stroke section This type of gas springs divides the opening stroke into multi distinct sections for desired flap positioning. Grooves inside the tube allow the STEP-STOP gaspring to stop at various angles depending on how many stop points are required.



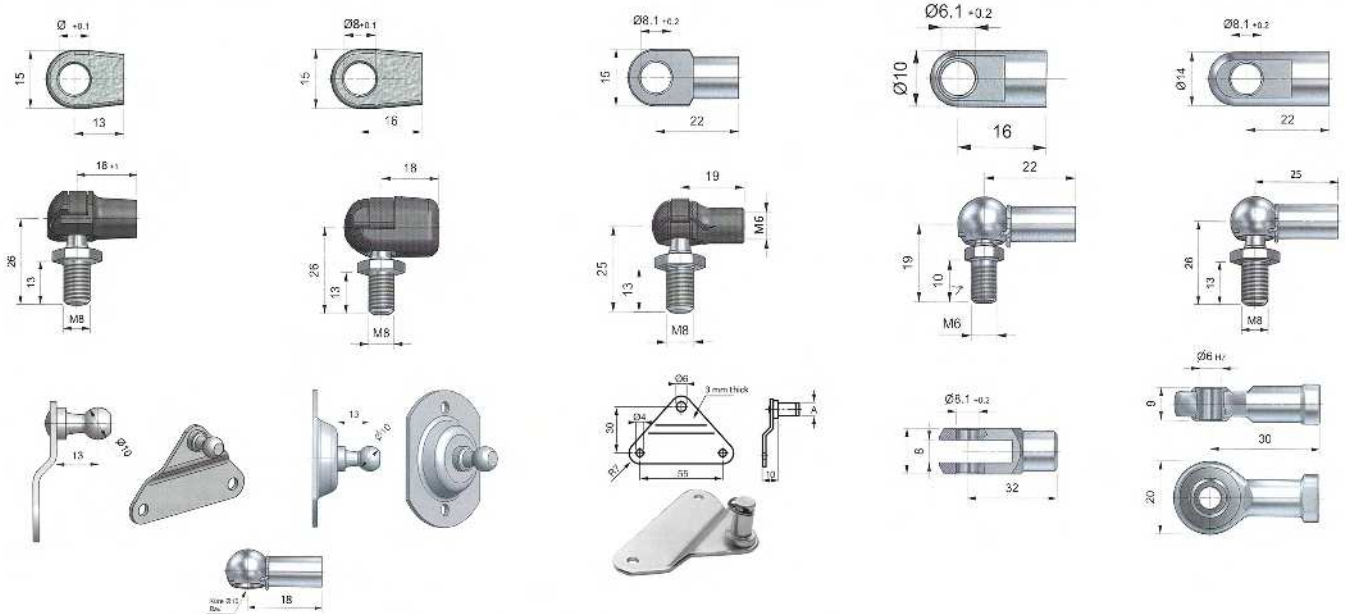
LIFT & LOCK gas springs with end position locking. These gas springs are regular LIFT types but with additional end position locking feature. Depending on the type you choose the end locking is available at extended, compressed or extended and compressed positions.



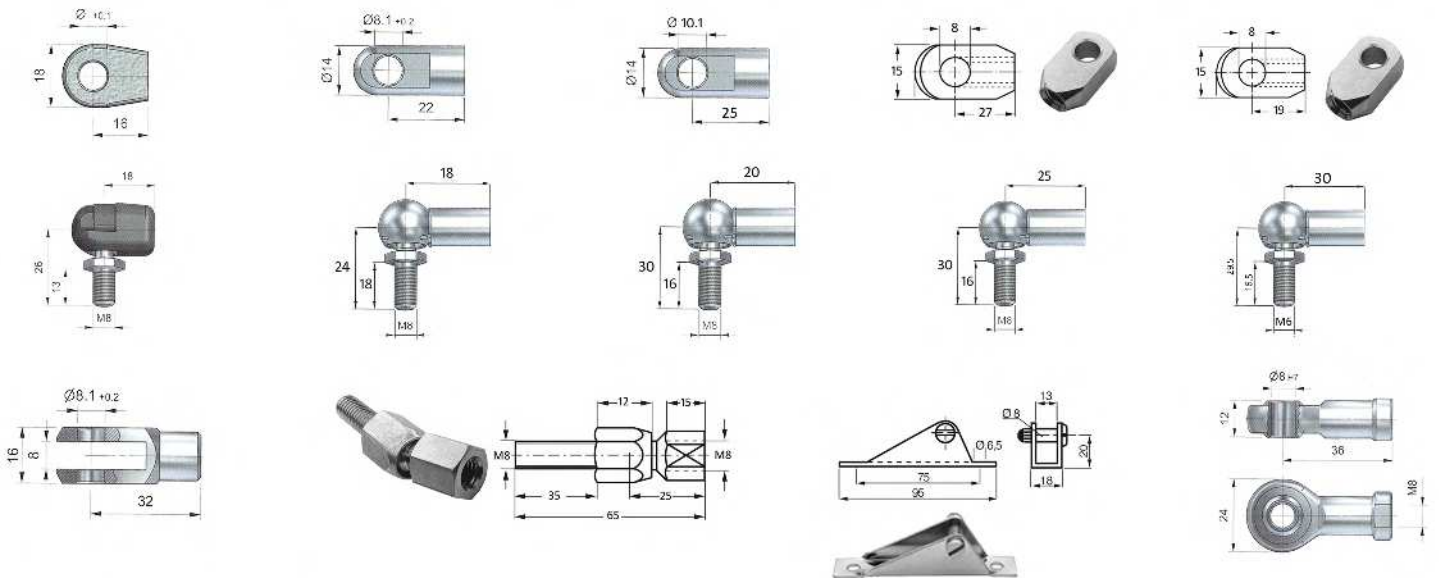
LKD gas springs for heavy duty applications. LKD's are developed for heavy duty applications requiring lifting forces from 740 kg to 5000 kg. The LKD is ideally suited for a wide variety of applications in the machinery industry.

Group	Stroke (max.)	F ₁ - Force (min - max.)
4 / 12	200	10N – 180N
6 / 15	400	50N – 400N
8 / 18	600	100N – 800N
10 / 22	800	100N – 1.200N
10 / 28	800	150N – 1.200N
14 / 28	1.000	250N – 2.500N
20 / 40	1.500	500N – 5.000N
25 / 55	700	500N – 7.500N
30 / 70	800	1.000N – 10.000N

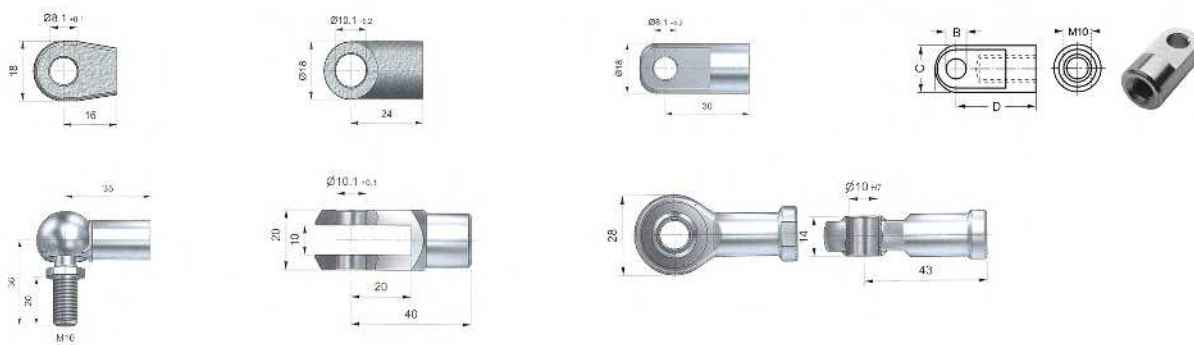
M6 - Gas Spring End fittings



M8 - Gas Spring End fittings



M10 - Gas Spring End fittings



Vannes pour fluides et gaz

- ✚ Vannes pour fluides et gaz
- ✚ Vannes de commande pour l'industrie pétrochimique
- ✚ Vannes pour fluide en plastique
- ✚ Vannes pour application cryogénique
- ✚ Composants en INOX certifiés ATEX et GOST-R
- ✚ Vannes anti-incendie



Solenoid Valves for Thermohydraulics

m&m



D223 ÷ 225
from 1 1/4" to 2"



B203 ÷ 222
from 1/4" to 1"



D505 ÷ 522
from 1/2" to 1"



D264 ÷ 266
from 1/4" to 1/2"

Solenoid Valves for Automation

m&m



D187 ÷ 293
from 1/4" to 1"



D884 ÷ 886
from 1/4" to 1/2"



D237 ÷ 239
from 1/4" to 1/2"



D262/263
1/8" and 1/4"



B297
1/8"



C 242
1/8"



B919 ÷ 921
manifold



D301
flange 32x32



D362/363
1/8" and 1/4"



B397
1/8"

Solenoid Valves for Air Treatment

m&m



RD236
1/4"



RD213
1/8"



RB214
1/8"



D201
flange 32x32



D249
1/4"



ADV
with solenoid valves



STRAINERS
from 1/4" to 1/2"



ADV
with compact PAV

Solenoid Valves for Steam

m&m



D606/622
3/4" and 1"



D887 ÷ 892
from 1/4" to 1"



D634 ÷ D636
from 1/4" to 1/2"



D262/263
1/8" and 1/4"



D260/261
1/4" & 1/4"
and 3/8"



RD236
1/4"

Stainless Steel Solenoid Valves

m&m



B298
1/8"



D298/299
1/8" and 1/4"



B398
1/8"



D398/399
1/8" and 1/4"



D204 ÷ 222
from 3/8" to 1"



Pilot Operated Solenoid Valves

GSR



Serie 28



Serie 44



Serie 51



Serie 2/529

External (Pressure) Controller Valves

GSR



Serie 60



Serie 63



Serie 22



Serie 26

High Pressure Valves up to 500 bar

High Temp. Valves up to 400°C

GSR



Atex & Multy Purpose Valves

alcon
GAS VALVES



Serie UACP



Serie 70



Serie ACHL



Serie JNO - JNC



Serie HWA



Solenoid valves for process control

CRYOGENIC applications



Oil - Gas & offshore valves



MIDLAND-AS

RVS Filters & Regulators



RVS Direct Acting Valves



RVS Spool valves



RVS 1500 spool valve pilot latch with indicator



RVS 1500 spool valve push - pull



Impact Manifold



RVS 1800 series fluoslide



RVS 1500 lever-roller operated spring return



RVS 1600 pilot spool valve



RVS 3575 series service air



RVS 1500 spool valve key operated



RVS 1600 spool valve hand lever



Multipurpose Plastic Valves & Systems

PLAST-O-MATIC VALVE LINE



Solenoid Valve



Electric Actuated Ball Valve



Low Level pressure switch



Gauge Guard



Air Operated Chemical Metering Pump



Vacuum Breakers - Shutoff Valves
Backpressure & Anti-Siphon Valves
Pressure Regulators
Sight Glasses & Level Indicators
Air Release & Degassing Valves



Pressure Stabilizer



3 way actuated Ball valve with stroke limiter



Manual Ball Valve



Pignion & Rack actuator with Ball Valves



Fire Fighting Valves

LONDON
KINGSWAY
SAFETY, CONTROL & FIRE-FIGHTING EQUIPMENT



PTFE Engineered High Purity Fluid Handling Products

BECO
Pneumatic Valves



Single Orifice Plunger valves

peterpaul



Instrumentation

✦ Pressostats

✦ Détection de feu

✦ Capteurs de pression

✦ Sondes de niveau continu

✦ Thermostats

✦ Vacuostats

✦ Détecteurs de niveau

✦ Détecteurs et indicateurs de débit



Pressure Switches



Diaphragm Pressure Switches



Pressure Switch with SPDT Contacts



Electrical differential Pressure Switches



Vacuum Switches



Temperature Switches



Bimetallic Thermostat



Thermal Contacts



Temperature Probes



Level Sensors



Electromagnetic Level Sensor



Electromechanical Level Sensor



Resistive Electromechanical Level Sensor



Industrial Heat & Fire Detectors





Connectivité

Connecteurs industriels type A,B et C

Connecteurs type M8

Connecteurs type M12

Connecteurs industriels type Micro



DIN Valve Connectors



M8 NANO-Change, M12 MICRO-Change & Ultra-lock 3 to 5 poles connectors



M12 r-coding cross-shielded format connectors and receptacles achieve Cat 6A Ethernet speed for high-speed data transfer in harsh-duty applications



CHT - M12 Circular Hybrid Technology connector with wrap-around shielding combines Cat5e Ethernet speed with power lines



M25 Signal and Power Connector

Splitter Boxes



LDA, votre partenaire idéal avec l'expérience.

LDA sa, une solide entreprise belge, distribue depuis plus de 50 ans des composants de qualité pour l'automatisation industrielle.

Durant ces nombreuses années, nous avons pu mettre en place, avec nos fournisseurs, une relation de confiance qui garantit une continuité et de qualité pour nos clients. La connaissance et l'expertise de nos collaborateurs sont à l'origine de notre succès. LDA est spécialisée dans l'amortissement des chocs et vibrations, dans le contrôle des fluides et dans les solutions pneumatiques allant des vannes jusqu'à la robotique ainsi que tous les accessoires appropriés. Grâce à ceux-ci, nous sommes à même de vous proposer des solutions complètes.

Grâce à plusieurs années d'expériences, LDA offre des conseils techniques et des solutions efficaces combinés à un service irréprochable au niveau administratif et logistique.

Nos points forts – VOS AVANTAGES

- ▲ Le client est notre priorité
- ▲ Conseillers compétents
- ▲ Solution adaptée aux besoins du client
- ▲ Support technique pour les projets
- ▲ Technologies avancées
- ▲ Une entreprise flexible et efficace
- ▲ Contrôle de qualité

CLIENT: Notre priorité

LDA favorise les relations à long terme avec sa clientèle et ses fournisseurs ainsi que nos collaborateurs. La société est par conséquent constituée de personnes de confiance, appuyée par une équipe forte et motivée. Nous travaillons sur des solutions basées sur des produits de qualité, ayant une longue durée de vie et consommant un minimum d'énergie.

En quelques mots: «SOLUTIONS FOR LIFE»

Notre motivation principale est de vous permettre de percer dans votre secteur. La logistique de LDA en est la base: Qualité, fiabilité, J.I.T. et innovation sont nos critères. En tant que partenaire de ses clients, LDA mettra tout en œuvre pour que l'expertise acquise durant ces nombreuses années soit une véritable valeur ajoutée. Notre coût total de propriété (TCO) et le calculateur Customer Profit Reinforcement (CPR®) a été spécialement conçu pour offrir à nos clients la meilleure solution au meilleur prix.

Mission

Notre mission principale est de fournir une large gamme de solutions techniques, innovantes et de qualité à nos clients. Ces produits et notre service de qualité sont les outils pour apporter une amélioration importante de la durée de vie, de garantir la continuité de la production et de générer des gains financiers pour nos clients.

Vision

La gamme de produits complète et variée de LDA est la base de notre mission.

La formation continue de nos employés, notre expérience et notre connaissance de l'application se traduit par un avantage inestimable pour nos clients.

Innovation, qualité et fiabilité de nos produits sont les critères sur lesquels nous, LDA et nos partenaires, nous basons pour nous efforcer de constamment proposer les meilleures solutions.

Motion Technology:

- ▲ Absorption d'énergie et isolation de vibrations
- ▲ Vérins et distributeurs pneumatiques
- ▲ Technologie du pick & place & Robotique
- ▲ Ressorts à gaz, régulateurs de vitesse et freins
- ▲ Composants électromécaniques et Servo
- ▲ Solutions pour le vide

Fluid Technology:

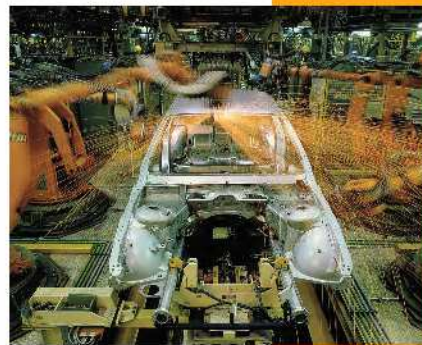
- ▲ Vannes pour liquides et gaz
- ▲ Vannes pour application cryogénique
- ▲ Vannes de commande pour vannes process et pétrochimiques en INOX certifiées ATEX et GOST

Instrumentation:

- ▲ Détecteurs de pression, de température et de niveau
- ▲ Connecteurs électriques

Connection de système:

- ▲ Les connecteurs industriels style DIN, M8, M12 et câbles moulés
- ▲ Ethernet industriel et Ethernet hybride et les connecteurs et câbles moulés
- ▲ Les broches multi connecteurs électriques industriels



Motion Technology

Vérins et distributeurs pneumatiques

Les distributeurs pneumatiques MAC VALVES possèdent des qualités uniques, une durée de vie jamais égalée et des vitesses de commutation très élevées, ce qui leur a valu d'acquérir une renommée mondiale dans le secteur de l'automatisation industrielle.

Les entraînements PHD, les grappins et dispositifs de serrage garantissent une qualité supérieure et une longue durée de vie, c'est pourquoi cet assortiment s'adapte également parfaitement aux programmes des distributeurs pneumatiques MAC VALVES. MDN est le réseau mondial de MAC VALVES et des actuateurs PHD.

Les vérins BIMBA, E.MC et AIRWORK ont une gamme étendue de vérins compacts et standards en aluminium, en acier ou en acier inoxydable. La qualité et la flexibilité au meilleur prix. Nous fournissons des cylindres AIRPEL sans frottement.

Notre assortiment comprend également tous les accessoires indispensables comme les raccords à air comprimé en plastique ou en inox, les tuyaux d'air comprimé et les appareils de traitement d'air.

Amortisseurs de chocs et isolation de vibrations

Nos amortisseurs de chocs hydrauliques ENIDINE protègent vos machines de l'usure prématurée et de la rupture, ils réduisent également le nombre de séances d'entretien, ce qui augmente sensiblement l'efficacité de l'installation. Pour l'amortissement de très faibles énergies, nous offrons des amortisseurs AIRPOT sans frottement.

L'assortiment d'isolateurs de vibrations est composé des coussins d'air FIRESTONE et ENIDINE (Goodyear) et les isolateurs à câble d'ENIDINE. Pour compléter la gamme, LDA dispose d'une gamme étendue d'isolateurs de vibrations en caoutchouc avec des qualités de pointe provenant de divers fournisseurs. FIRESTONE et ORIA ouvrent le chemin à la fabrication de ressorts pneumatiques sophistiqués, pour l'isolation de haute technologie, des solutions d'actuation et de pick-and place.

La robotique et Pick and Place

Dans l'automatisation industrielle, les pièces doivent bien souvent être déplacées de manière répétitive. PHD, GIMATIC et TOLOMATIC offrent des robots pratiques qui peuvent être équipés de différentes sortes de grappins et / ou unités de rotation. TOLOMATIC complète cette offre par des solutions linéaires spécifiques. La propulsion peut être tant ELECTRIQUE que PNEUMATIQUE. PACIFIC BEARING fournit le matériel d'équipement comme les guidages, les rails et les douilles de guidage.

VACCON, CONVUM et SAPELEM nous offre un programme qualitatif de technique sous vide, de ventouses (également sans contact) et de pompes à vide peu énergivores. Si des pièces extrêmement délicates doivent être déplacées, vous pouvez faire appel aux grappins gonflables de BIMBA, FIRESTONE, GIMATIC et PRONAL.

Ressorts à gaz, régulateurs de vitesse et freins

Grâce à ses années d'expérience dans ce domaine, LDA a acquis une connaissance approfondie en termes d'applications industrielles y compris les ressorts en gaz. C'est la raison pour laquelle LDA a composé son propre assortiment de ressorts à gaz en acier et en inox. Différentes dimensions des petites aux plus grandes, des exécutions spéciales et des ressorts à gaz réglables avec les raccords souhaités sont disponibles DE STOCK. ENIDINE fournit des régulateurs de vitesse et TOLOMATIC propose un assortiment de freins à disque pour utilisation industrielle. Le tout est soutenu par une équipe technique compétente.

ENIDINE

MAC[®]
V A L V E S

Firestone
World's Number 1
Air Spring.
FIRESTONE INDUSTRIAL PRODUCTS COMPANY

phd
SOLUTION FOR INDUSTRIAL AUTOMATION

GINATIC

E·MC[®]

Pacific[®]
bearing

BIMBA

Tolomatic
EXCELLENCE IN MOTION.

AIR WORK[®]
PNEUMATIC EQUIPMENT

VACCON
VACUUM PRODUCTS

CONVUM

SAPELEM
THE EUROPEAN BRAND FOR VACUUM HANDLING

Shock and Vibration
Products



CORPORATE & PRODUCT OVERVIEW



LDA GAS SPRINGS
Solutions for Life

Professionals in Motion Control

Fluid Technology

Vannes

LDA possède une très large gamme complète de vannes qui peuvent être utilisés pour des gaz et des liquides divers. Ces vannes sont en aluminium, en laiton, en acier inoxydable (M&M, E. MC, ALCON, GSR, MAGNATROL et PETER PAUL) ou en matière plastique (PLAST-O-MATIC et IPS). Nos vannes sont à commande électromagnétique ou à air comprimé et conviennent pour tous les domaines, entre autres dans l'industrie alimentaire, les applications cryogéniques ou dans un environnement industriel agressif.

Vannes de commande

Pour l'industrie de traitement et pétrochimique, nous vous offrons avec MIDLAND/ACS un programme complet en inox 316, des soupapes pour l'air comprimé, l'hydraulique et les gaz. Ces composants bénéficient naturellement du certificat de conformité ATEX et peuvent être pourvus d'un certificat GOST-R.

Avec l'Impact 2000, vous combinez de manière entièrement modulaire le conditionnement d'air et les soupapes pour obtenir une connexion spécifique d'un système « actuator control ».

Le programme comprend des accessoires tels que : Quick Exhaust, Check et Safety Relief valves. La fourchette de températures de ce programme s'étend de -50°C à +180°C et les pressions actives s'élèvent à 0.1 – 1.400 BAR.

Instrumentation

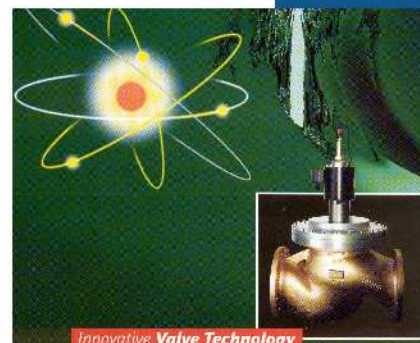
LDA fournit une gamme étendue de capteurs applicables dans tous les secteurs du monde industriel. Prestations, précision et fiabilité sont les mots-clés dans la sélection de nos produits. Vous trouverez les régulateurs de pression, de température et de niveau dans notre gamme EUROSITCH et PLAST-O-MATIC.

Connecteurs

Pour diriger parfaitement toute cette information électrique, nous fournissons aussi des prises et connecteurs MOLEX, avec ou sans câbles moulés. Molex dispose de systèmes de câbles complets qui transmettent des signaux de systèmes complexes d'Ethernet Industrial venant de boîtes de distribution pour aller vers des connecteurs DIN industriels.



Innovative Valve Technology



Innovative Valve Technology

VISITEZ notre boutique en ligne !

LDA *direct*

Des produits de qualité standard à un prix correct, un délai de livraison court ainsi qu'un soutien permanent de nos experts: c'est ce que LDAdirect a à vous offrir.

Notre engagement, votre avantage.

Sur LDAdirect, nos clients peuvent commander dans notre gamme de produits standards. Mais ce n'est pas tout ! LDA s'engage également à prendre en stock tous les produits qui apparaissent sur LDAdirect. Si une commande est passée avant 14h00 un jour ouvrable (sous réserve de certaines exceptions) en Belgique, la livraison sera effectuée le jour ouvrable suivant. Des frais de transport de 15 € (hors TVA) seront facturés quelle que soit la taille du colis ou l'adresse de livraison dans le Benelux.

Vous pouvez aussi nous contacter au +32 (0)2 669 68 00 ou via LDAdirect@LDA.be

Déjà disponible :

- ▲ Vannes pour fluides
- ▲ Connecteurs DIN
- ▲ Tuyauterie
- ▲ Raccords
- ▲ Traitement de l'air
- ▲ Des produits sont ajoutés continuellement

Les avantages de LDA*direct* :

- ▲ Focus sur le Benelux, mais toutes les demandes de prix en Europe sont traitées
- ▲ Prix compétitifs
- ▲ Des produits de qualité disponible en stock
- ▲ Livraison en BE en 1 jour ouvrable
- ▲ Livraison NL et LUX dans 2 jours ouvrables

Suivez-nous sur twitter @LDAdirect pour être tenu informé des changements des produits en ligne !

www.LDAdirect.be

Visitez notre site web de produits techniques

Les produits spécifiques ont besoin de connaissances spécialisées, et pour cela, l'équipe LDA est disponible pour partager ces connaissances avec leurs clients. Notre équipe comprend qu'il est important pour les clients de recevoir de la documentation technique et ce, aussi en dehors de nos heures d'ouverture. C'est pourquoi nous offrons un maximum de fiches techniques et de documentation sur nos produits en ligne.

Notre engagement, votre avantage.

Sur le site LDA.be, vous avez la possibilité de consulter et télécharger différents documents techniques. Des vidéos représentant les produits sont régulièrement mises en ligne et sont disponibles via le lien YouTube. Si vous souhaitez contacter un membre de notre équipe, vous pouvez le faire par téléphone ou par voie électronique. L'équipe LDA est également joignable via notre site en cliquant sur le bouton « demande d'information » qui se trouve en haut de la page internet. Une demande sera alors envoyée à notre équipe qui vous répondra dans les plus brefs délais.

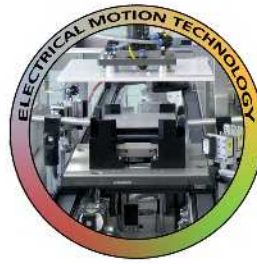
A propos des produits LDA.be :

Vous pourrez trouver :

- ▲ Des informations techniques pour chaque catégorie de produits
- ▲ Des vidéos via YouTube
- ▲ Télécharger les catalogues
- ▲ Télécharger le mode d'emploi pour les installations
- ▲ Télécharger le mode d'emploi ainsi que, les programmes de calcul pour identifier les bons produits
- ▲ Nos informations techniques en ligne sont régulièrement adaptées et élargies
- ▲ Comprendre comment nos produits fonctionnent et comprendre comment des produits de qualité peuvent vous faire économiser de l'argent
- ▲ Demande d'information auprès de l'équipe LDA

**Restez à jour et suivez-nous sur
Facebook et LinkedIn!**

Notes



Vous avez l'idée, nous la concrétisons.

LDA Belgique & Luxembourg

Hoge Buizen 53
1980 Epegem
Belgique

Tel. +32 (0)2-266 13 13

Mail: LDA@LDA.be

www.LDA.be